

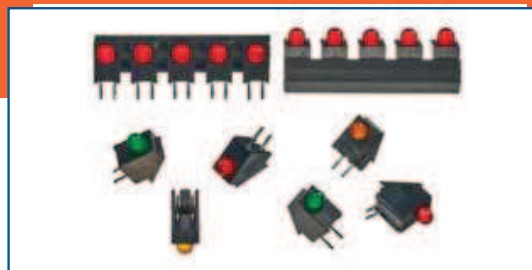


RA Series T1 Right Angle LED Bar*

Special Features

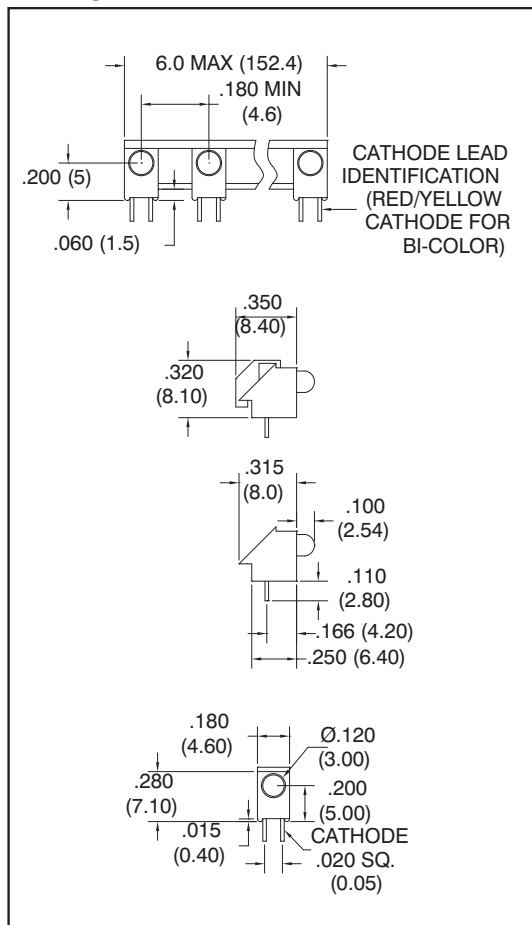
- Customized to your specifications without tooling charges
 - Variable LED spacing, minimum .180" (4.57 mm)
 - Maximum bar length 6.0" (152.4 mm)
- Available with 2 to 33 T1 LEDs in one convenient assembly
- Bar provides consistent alignment for multiple LED mounting
- Wave solderable and chemically cleanable
- Housing and bar material UL 94V-O rated

*Patented



3mm PC Board Mount LED

Package Dimensions



All dimensions are in inches (mm)
Standard polarity shown in drawing: Cathode right

Electrical and Optical Characteristics (TA = 25°C)

LED Part #	Color	Luminous Intensity (mcd) Typ. @ I _f (mA)	V _f Typ. @ I _f (mA)	Viewing Angle 2θ 1/2	Peak Wavelength (nm)		
HIGH EFFICIENCY							
1300	Yellow	6.0	10	2.0	10	60°	583
1301	Red	5.5	10	1.9	10	60°	635
1302	Green	5.0	10	2.1	10	60°	565
1313	Orange	5.5	10	1.9	10	60°	600
LOW CURRENT							
1303	Red	2.1	2	1.7	2	50°	635
1304	Yellow	2.1	2	1.8	2	50°	583
1305	Green	2.3	2	1.9	2	50°	565
BICOLOR (2 leaded)							
8901	Red	20.0	20	2.0	20	60°	627
	Green	16.0	20	2.2	20		565
8903	Yellow	7.0	20	2.1	20	60°	590
	Green	16.0	20	2.2	20		565
BLUE							
8310	Blue	1100	20	3.3	20	30°	468
ULTRA BRIGHT							
1310	Red	55.0	20	1.9	20	45°	635
1311	Yellow	45.0	20	2.1	20	45°	583
1312	Green	45.0	20	2.2	20	45°	565
1315	Red	45.0	20	1.8	20	60°	645
SUPER ULTRA BRIGHT							
8306	Green	150.0	20	2.2	20	50°	565
8312	Yellow	700.0	20	2.0	20	50°	590
8313	Red	800.0	20	1.85	20	50°	660
WHITE							
1331	White	1600	20	3.3	20	34°	N/A

How To Order

Individual RA LEDs	Multiple RA LEDs on a Bar
<p>RA x - xxxx</p> <p>LED Color See LED Part #</p> <p>Red=R Yellow=Y Green=G Orange=O Blue=L Bicolor=B White=W</p>	<p>x RA x - xxxx - xxx</p> <p># of LEDs Per Bar LED Color LED Part# Center to Center Spacing of LEDs in inches (If spacing varies use SPL)</p> <p>R=Red Y=Yellow G=Green O=Orange L=Blue B=Bicolor W=White M=Multiple</p>

— CLICK HERE —

REQUEST QUOTE